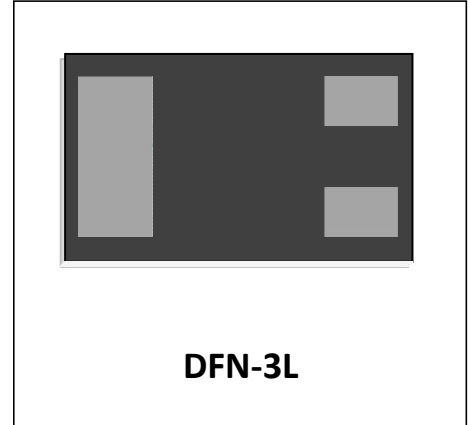


Features

- 60 Watts Peak Power per Line (tp = 8/20µs)
- Protects two I/O lines
- Low operating voltage: 5V
- Low capacitance (<1.5pF)
- Solid-state technology

IEC COMPATIBILITY (EN61000-4)

- IEC 61000-4-2 (ESD) ±15kV (air), ±8kV (contact)
- IEC 61000-4-4 (EFT) 40A (5/50ns)
- IEC 61000-4-5 (Lightning) 5A (8/20µs)



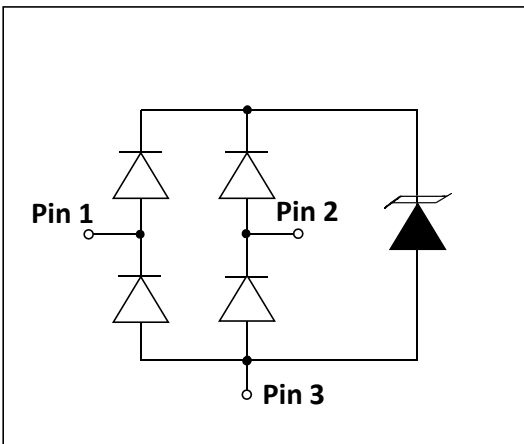
Mechanical Characteristics

- JEDEC DFN-3L package
- Molding compound flammability rating: **UL 94V-0**
- Marking : Making Code
- Packaging : Tape and Reel per EIA 481
- RoHS Compliant

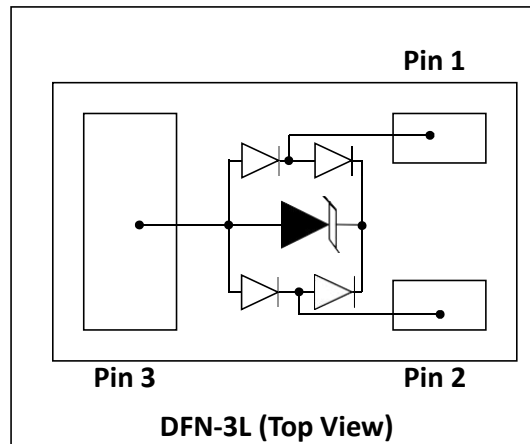
Applications

- FireWire & USB
- Sensitive Analog Inputs
- Portable Electronics
- LAN/WAN equipment
- Video Line Protection
- Microcontroller Input Protection

Circuit Diagram



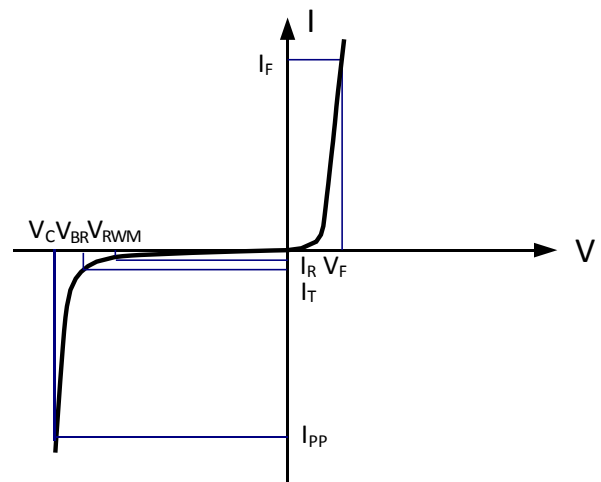
Schematic & PIN Configuration



Absolute Maximum Rating			
Rating	Symbol	Value	Units
Peak Pulse Power ($t_p=8/20\mu s$)	P_{PP}	60	Watts
Peak Pulse Current ($t_p=8/20\mu s$)	I_{PP}	5	A
Lead Soldering Temperature	T_L	260(10sec)	°C
Operating Temperature	T_J	-55 to + 125	°C
Storage Temperature	T_{STTh}	-55 to +150	°C

Electrical Parameters (T=25°C)

Symbol	Parameter
I_{PP}	Maximum Reverse Peak Pulse Current
V_C	Clamping Voltage @ I_{PP}
V_{RWM}	Working Peak Reverse Voltage
I_R	Maximum Reverse Leakage Current @ V_{RWM}
V_{BR}	Breakdown Voltage @ I_T



Electrical Characteristics

ADD35 V0UP						
Parameter	Symbol	Conditions	Minimum	Typical	Maximum	Units
Reverse Stand-Off Voltage	V_{RWM}				5.0	V
Breakdown Voltage	V_{BR}	$I_T=1mA$	6.0			V
Reverse Leakage Current	I_R	$V_{RWM}=5V, T=25^\circ C$			1.0	μA
Clamping Voltage	V_C	$I_{PP}=5A, t_p=8/20\mu s$		8.5	12	V
Junction Capacitance	C_j	Between I/O pins and Thruout $V_R=0V, f=1MHz$			1.5	pF
		Between I/O pins $V_R=0V, f=1MHz$			0.8	pF

Typical Characteristics

Figure 1: Peak Pulse Power Vs Pulse Time

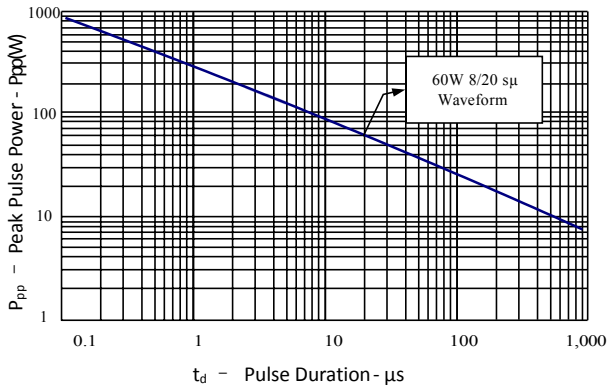


Figure 2: Power Derating Curve

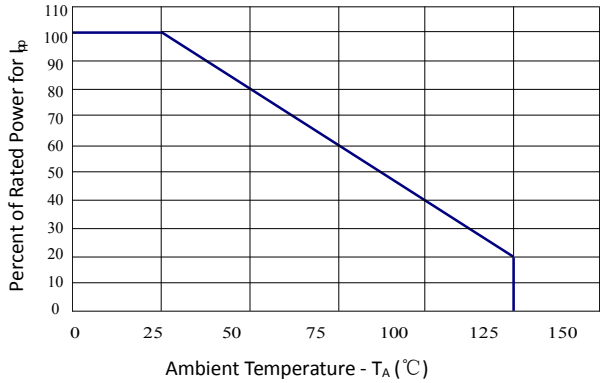


Figure 3: Pulse Waveform

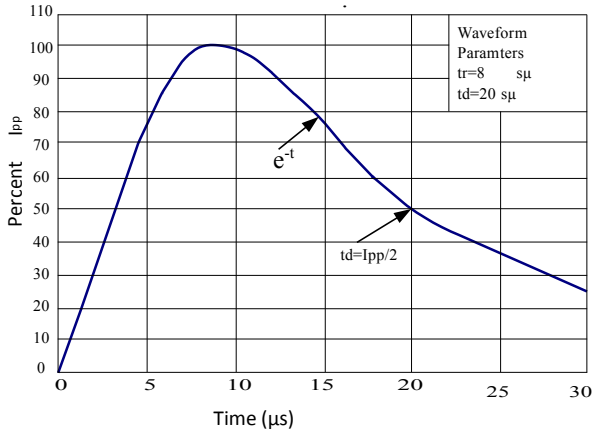


Figure 4: Clamping Voltage vs. Peak Pulse Current

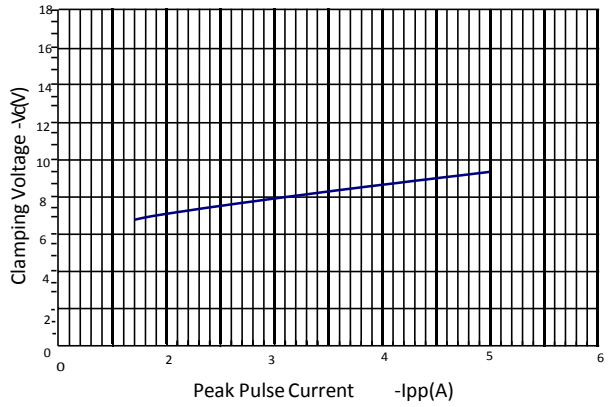
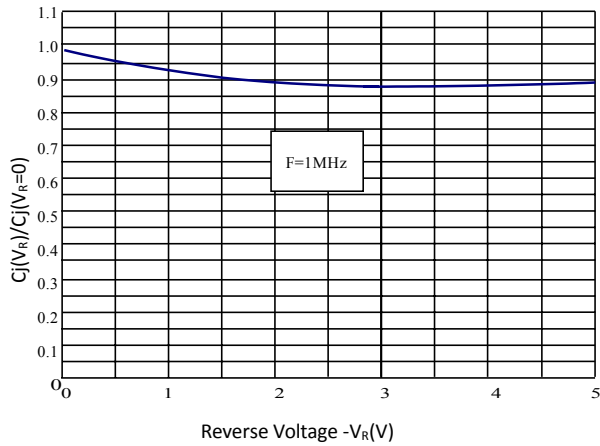
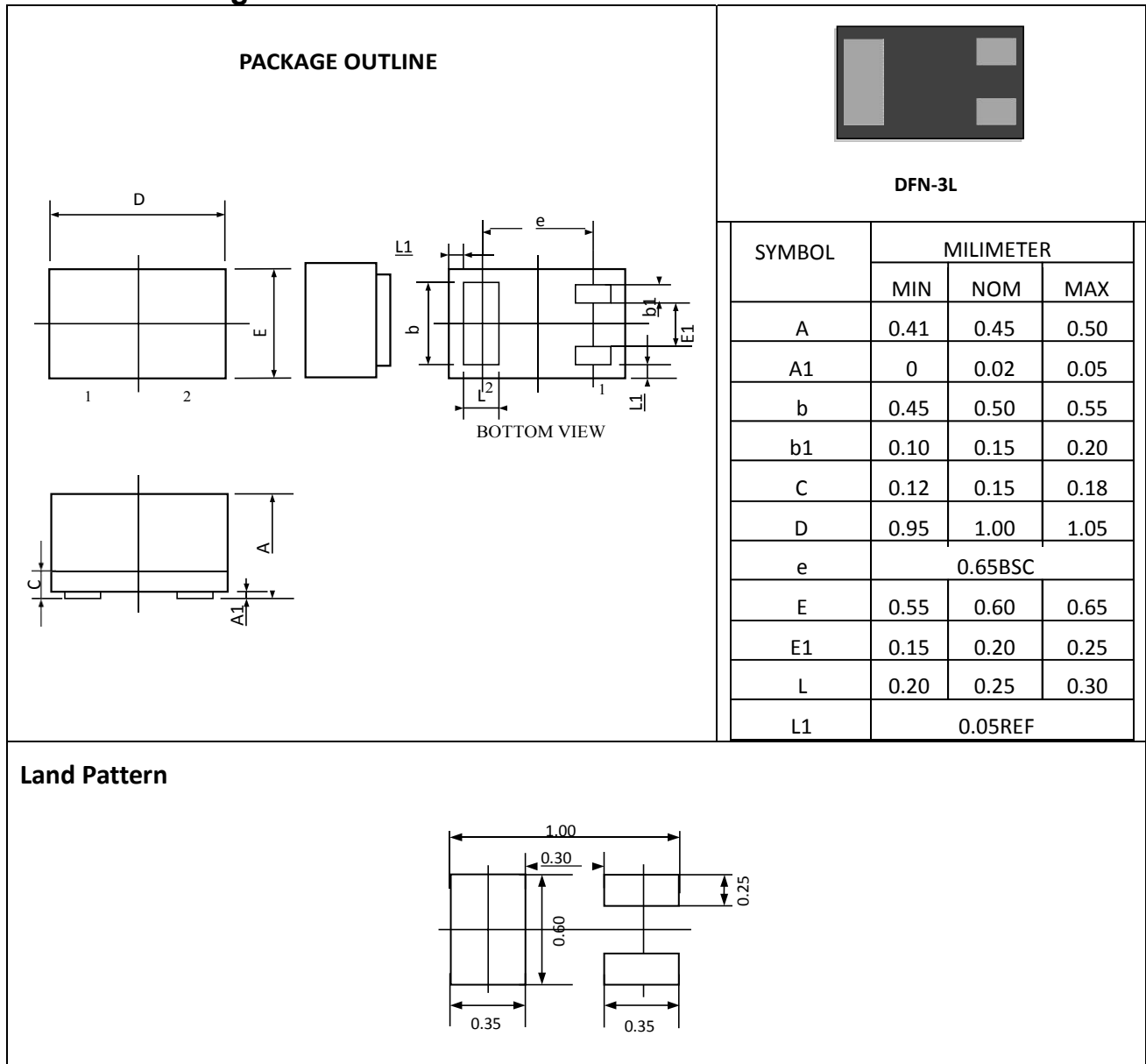


Figure 5: Capacitance vs. Reverse Voltage



Outline Drawing – DFN-3L



Marking Codes

Part Number	PESD5V0U2BMB	Marking Code	U3
-------------	--------------	--------------	----

Package Information

Qty: 10k/Reel